

LIGHTCOVES

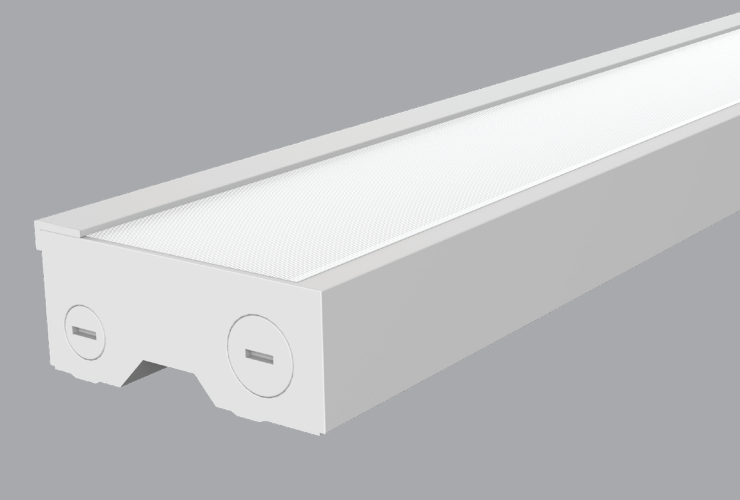
CV4 SERIES

INDIRECT COVE SYSTEM

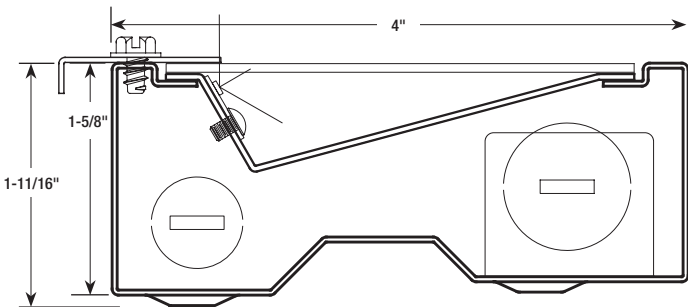
Architectural Linear LED Illuminating Cove System

Features

- Small-scale linear housing specifically engineered for indirect cove lighting.
- Produces a perfect asymmetric distribution with no trapped or lost light.
- No shadows, bright or dark spots. Just pure visually-pleasing indirect glowing illumination.
- Self-contained integral drivers make installations easy.
- No need to for field aiming or adjusting.
- Designed to fit small custom-built coves.
- Compatible with Axiom® indirect light coves from Armstrong®.
- Standard lengths of 2Ft., 3Ft. and 4Ft. allow for complete lay-out flexibility.
- Clear lens acts as a dust guard covering the LED gear tray.
- Optional frosted and white lenses available as needed.
- Non-glare matte-white polyester powder coating finish.
- Cataloged standard or custom set lumens-per-foot performances.
- 80 CRI standard. 90 CRI available.
- Dimming down to 1% on 0-10V controls.
- Fixture lumens per watt ratios up to 143.
- American Made.



Cross Section (75% scale)



Performance

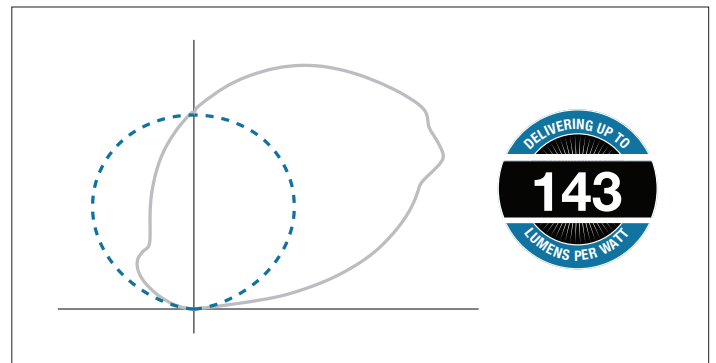
Based on 4Ft. Module, 3500K, 80 CRI

Lumens per Foot (LF)	Delivered Lumens (L)	System Watts (W)	Lumens per Watt (LPW)
500	2000	14.2	141
625	2500	17.5	143
800	3200	22.9	140
1100	4400	33.2	133
1400	5600	43.4	129

Multiplier for other Color Temp (K)

3000K	98%
3500K	100%
4000K	104%
5000K	106%

Actual performance may differ by +/- 5% when operating between 120V-277V +/- 10%. Consult Factory for 90 CRI performances.



fixture type:

job information:

CV4 Series | LIGHTCOVES

Architectural Linear LED Illuminating Cove System | Indirect Cove System

Ex: CV4-B-24-800-35K-CL-1%-U-CS



CV4								
Series	Housing Shape	Module Length	Lumens/Ft	Color Temp	Diffuser	Driver	Voltage	Misc.
CV4 Indirect Cove System	A All Axiom® ceiling-to- ceiling types.	24 24" Length	500	80 CRI	CL Clear Lens/ Dust Guard	1% 0-10V 1% Dimming	U Uni 120V-277V	CS Adjustable backlight cut-off shield
	B All Axiom® ceiling-to-wall types and all custom built coves	36 36" Length	625					
		48 48" Length	800	35K				
			1100	40K	Frosted or White Lenses as Requested. Consult Factory.	SR Sensor Ready (Required for Certain Controls, Contact Factory)	1 120V	
	Other or Custom Lengths. Consult factory.		1400	50K Upon Request				
			Custom Lumen Package. Contact Factory	90 CRI		LDE1 Lutron Hi-Lume	7 277V	
						LDE5 Lutron 5-Series	X As Specified	
						As Specified		

Housings

Fabricated from heavy gauge code grade cold rolled steel with a white polyester powder coating finish for long lasting durability.

Housing ends are welded into place.

Sufficient electrical knockouts are provided on the housing back and ends.

Internal cold-rolled steel LED gear tray.

Housing shape A for all Axiom® ceiling-to-ceiling types.

Housing shape B for all Axiom® ceiling-to-wall types and all custom built coves.

Diffusers

Clear lens acts as a dust guard covering the LED gear tray.

Optional frosted and white lenses available as needed.

LED Modules

High performance linear configured LED module boards.

Each board consists of multiple mid-power, high efficacy LEDs in a precise layout eliminating the need for supplemental heat sinking.

The boards produce an even and diffuse light which maximizes optical efficiency.

Compatible with the dimming performance of the LED driver.

Color temperatures available 80 CRI: 3000K, 3500K and 4000K. Upon request: 5000K.

Color temperatures available 90 CRI: 2700K, 3000K, 3500K and 4000K.

LED Drivers

Factory programmable constant current LED power supply.

Multiple standard drive current outputs (factory set by Mercury) are cataloged with their corresponding lumens-per-foot offering. Upon request, custom drive current outputs and lumens-per-foot options are available.

Note: Certain cataloged lumens-per-foot offerings may be provided with a non-programmable constant current LED power supply at Mercury's discretion. Contact factory if critical.

Universal voltage input, 120V-277V, 50HZ-60HZ.

Specification grade dimming down to 1% on 0-10V dimming controls.

Sensor ready (SR) drivers compatible with most lighting controls are optional. Consult factory.

Lutron drivers available: LDE1 and LDE5 series.

Standby Lighting Options

Contact Factory.

Installations

Standard lengths of 2Ft., 3Ft. and 4Ft. allow for complete lay-out flexibility.

Other lengths consult factory.

Contractor friendly easy installation features.

Quick connect plug-thru wiring harnesses provided where needed for easy end-to end runs.

Optional adjustable backlight cut-off shield.

Certificate of Safety Compliance and Listings

Luminaire: UL and CUL listed 1598 and bears their label. Suitable for damp locations.

Warranty

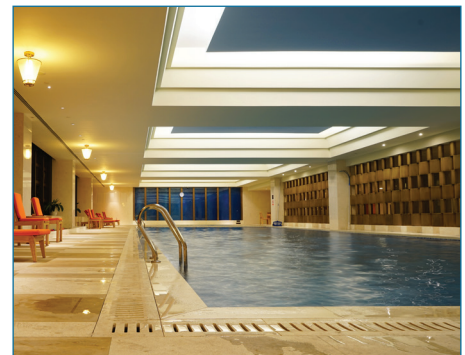
5-year limited warranty is standard. Special 10-year warranty available on a job-to-job basis. Complete LED warranty terms available at www.merclt.com.

Actual performance may differ as a result of end-user environment and application.

Most LED luminaires are suitable to operate in ambient temperatures from -20C (-4F) to 25C (77F).

The following exclusions apply: Luminaires with optional standby lighting option, integral lighting controls options, or wireless control options. Consult factory.

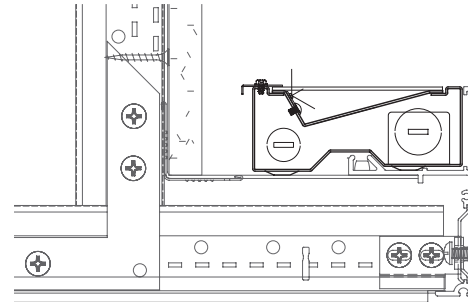
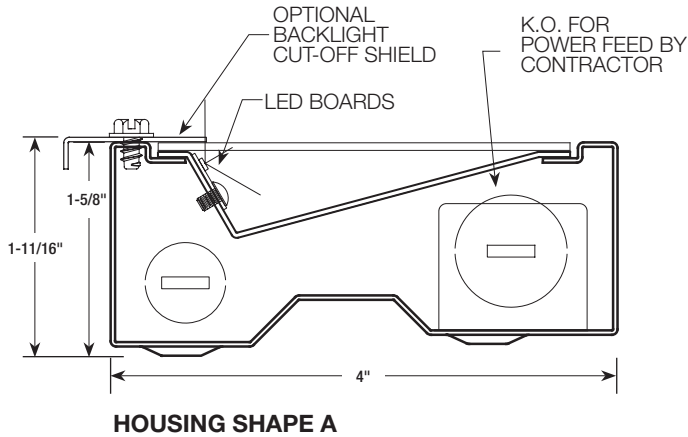
LM-79 testing was measured under a controlled 25C (77F) ambient operating temperature.



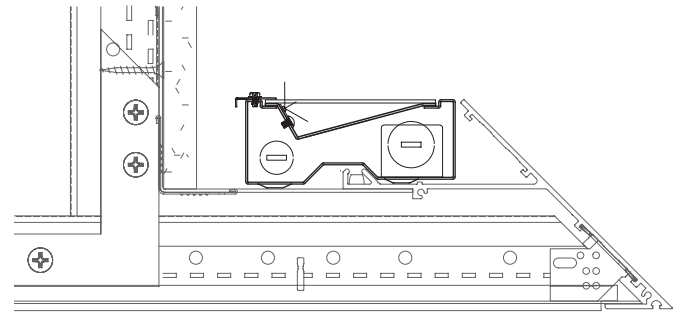
CV4 Series | LIGHTCOVERS

Architectural Linear LED Illuminating Cove System | Indirect Cove System

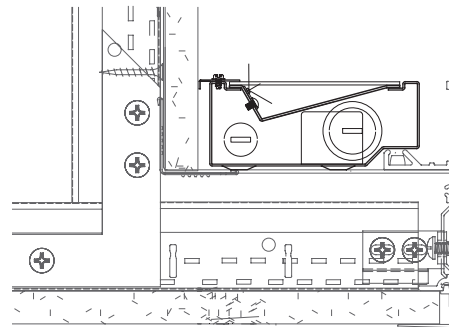
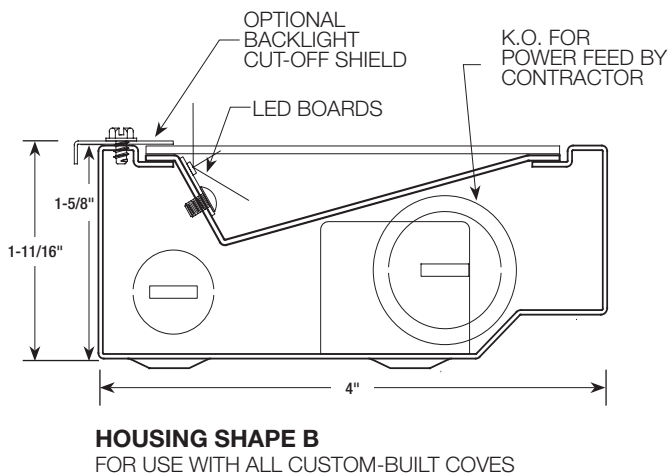
Dimensional Data



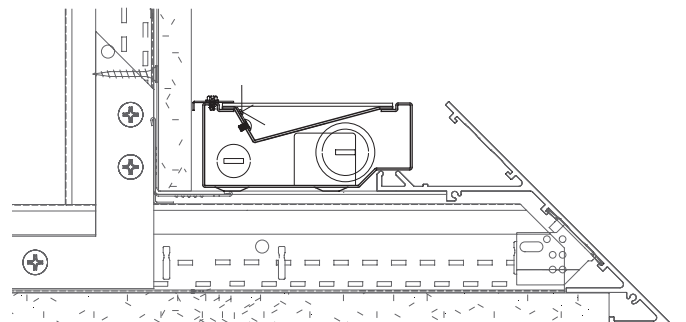
**Axiom® Classic Ceiling-to-Ceiling
AXIFLCC4**



**Axiom® Knife Edge Ceiling-to-Ceiling
AXIFLCCKE**



**Axiom® Classic Ceiling-to-Wall
AXIFLCW4**



**Axiom® Knife Edge Ceiling-to-Wall
AXIFLCWKE**

