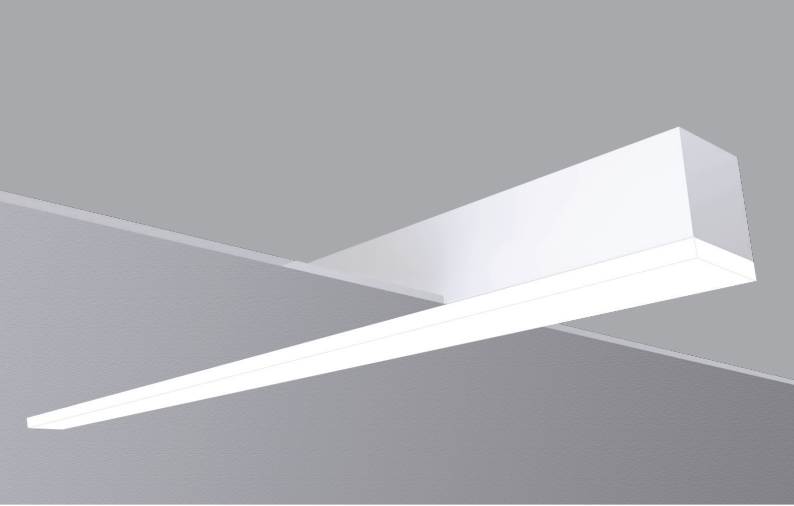


LIGHTSTREAMS

MLD3-F SERIES

DROP OR FLAT LENS RECESSED MOUNT FOR DRYWALL CEILINGS

Architectural Linear LED Illuminating System | LIGHTSTREAMS 3

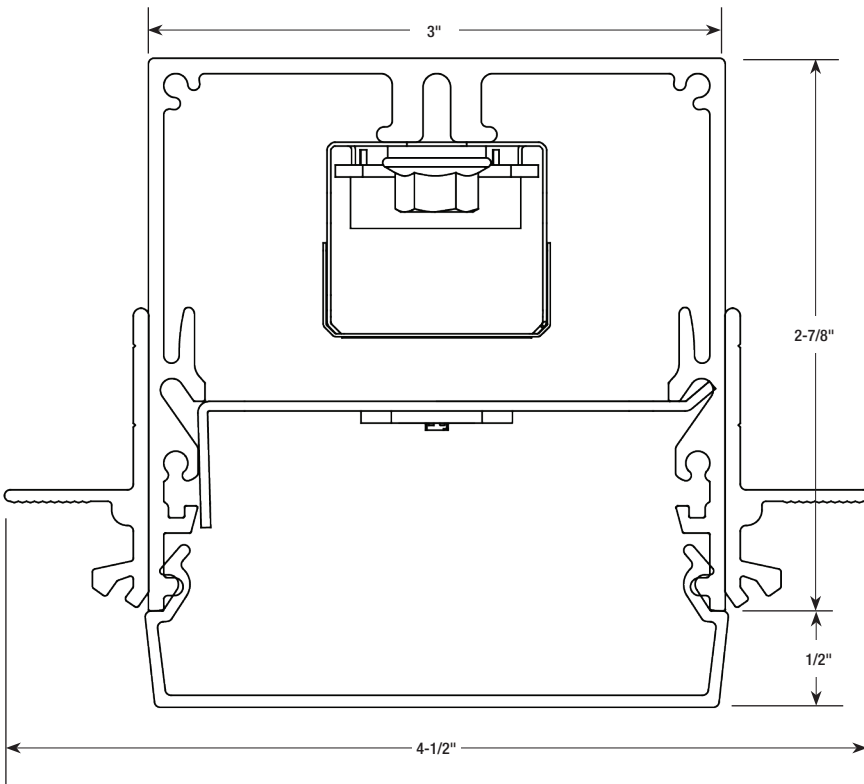


Features

- Extruded aluminum housing for perfectly straight lines of light.
- Narrow 3-inch wide profile.
- Linear lengths; 2-ft. and above in increments of one-inch.
- Custom formulated high diffusion extruded acrylic lens.
- Featured lens is a 1/2-inch drop style.
- Optional: 1-inch or 1-1/2-inch drop lens.
- Optional: flat style lens.
- Non-glare matte- white polyester powder coating finish.
- Recessed for drywall ceiling types; trimless or overlapping flange trim.
- Cataloged standard or custom set lumens-per-foot performances.
- 80 CRI standard. 90 CRI available.
- Dimming down to 1% on 0-10V controls.
- IC rated.
- Meets the requirements for Chicago Plenum use.
- Fixture lumens per watt ratios up to 114.
- Standard and custom corners.
- American Made.



Cross Section (actual size)



Performance

Based on 4Ft. Module, 3500K, 80 CRI

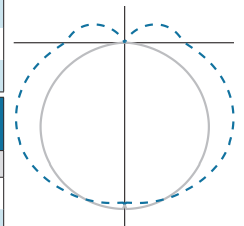
LUMENS PER/FT	TOTAL LUMENS	COLOR	WATTS	LPW
A05 LENS				
400	1600	35K	15	107
500	2000	35K	19	105
625	2500	35K	24	104
985	3940	35K	40	99

LUMENS PER/FT	TOTAL LUMENS	COLOR	WATTS	LPW
A10 LENS				
400	1600	35K	15	107
500	2000	35K	19	105
625	2500	35K	24	104
985	3940	35K	40	99

LUMENS PER/FT	TOTAL LUMENS	COLOR	WATTS	LPW
A15 LENS				
400	1600	35K	14	114
500	2000	35K	18	111
625	2500	35K	22	114
1050	4200	35K	40	105

Multiplier for other Color Temp (K)

3000K	97%
3500K	100%
4000K	102%
5000K	103%



Actual performance may differ by +/- 5% when operating between 120V-277V +/- 10%. Consult Factory for 90 CRI performances.



fixture type:

job information:

MLD3-F Series | LIGHTSTREAMS 3

Architectural Linear LED Illuminating System | Drop or Flat Lens | Recessed Mount For Drywall Ceilings

Ex: MLD3-F-144-985-35K-A05-1%-U-EM12

MLD3								Option
Series	Mounting	Module or Row Length	Lumens/Ft	Color Temp	Diffuser	Driver	Voltage	Standby Modules*
MLD3 LightStreams 3	F Overlapping Flange Trim N5 Trimless Plaster-In for 5/8" Drywall N1 Trimless Plaster-In for 1/2" Drywall	48 48" Length	A05 LENS 400 500 625 985	80 CRI 30K 35K 40K 50K Upon Request	A05 1/2" Drop A10 1" Drop A15 1-1/2" Drop AS0 Flat	1% 0-10V 1% Dimming SR Sensor Ready (Required for Certain Controls, Contact Factory) LDE1 Lutron Hi-Lume LDE5 Lutron 5-Series As Specified	U Uni 120V-277V 1 120V 7 277V X As Specified	EM7 EM10 EM12 No Option
		144 144" Length Custom or Row Length. 24" and above in 1" increments. Ex. in inches: 82, 384, etc.	A10 LENS 400 500 625 985					
		A15 LENS 400 500 625 1050	Custom Lumen Package. Contact Factory					

*Available in modules of 4-ft. and longer. / Maximum 625 Lumens per foot packages.

Housings

Extruded aluminum profile in a 0.080-inch wall thickness.

Maximum length of each linear component is 12-ft.

18GA steel ends are provided where needed at row termini.

A one-piece 14GA galvanized steel joiner/aligner bracket is provided for each joint between housings.

Internal cold-rolled steel components.

Housing intended for recessing into drywall type ceilings systems.

Trimless housing for plaster-in or overlapping flange trim. See ceiling types section.

A custom formulated non-glare matte-white polyester powder coating provides an extremely durable and long lasting finish.

Diffusers

Seamless fit diffusers. Flawless and consistent end-to-end fit.

Extruded from custom formulated acrylic smooth opal material.

Allows maximum light transmission while eliminating pixilation and hot spots.

Standard diffuser is 1/2-inch drop style.

Optional diffusers; 1-inch or 1-1/2-inch drop style or flat style.

Smooth finish compliments the architectural elements.

LED Modules

High performance linear configured LED module boards.

Each board consists of multiple mid-power, high efficacy LEDs in a precise layout eliminating the need for supplemental heat sinking.

The boards produce an even and diffuse light which maximizes optical efficiency.

Compatible with the dimming performance of the LED driver.

Color temperatures available 80 CRI: 3000K, 3500K and 4000K. Upon request: 5000K.

Color temperatures available 90 CRI: 2700K, 3000K, 3500K and 4000K.

LED Drivers

Factory programmable constant current LED power supply.

Multiple standard drive current outputs (factory set by Mercury) are cataloged with their corresponding lumens-per-foot offering. Upon request, custom drive current outputs and lumens-per-foot options are available.

Note: Certain cataloged lumens-per-foot offerings may be provided with a non-programmable constant current LED power supply at Mercury's discretion. Contact factory if critical.

Universal voltage input, 120V-277V, 50HZ-60HZ.

Specification grade dimming down to 1% on 0-10V dimming controls.

Sensor ready (SR) drivers compatible with most lighting controls are optional. Consult factory.

Lutron drivers available: LDE1 and LDE5 series. (Limited to 625 Lumens per foot packages).

Standby Lighting Options

Self contained module, 7W, 10W or 12W as specified. Battery backup upon loss of power. Available in modules of 4-ft. and longer. **(Limited to 625 Lumens per foot packages).**

Corners

Standard 90 degree corners.

Custom angled corners.

Installations

Designed for recessed installation into drywall type ceiling systems.

See ceiling types section for typical installations.

Trimless housing requires plastering-in after installation.

Overlapping trim neatly closes off drywall opening.

For all recessed grid applications see appropriate specification sheets for those ceiling types.

Lengths of 12-ft. and less to use one housing with two ends pre-installed.

Lengths over 12-ft. will be engineered to job requirements using multiple housings with one end pre-installed at each row end.

Lengths over 12-ft. will include appropriate job required quick-connect plug-thru wire harnesses and housing joiners.

Wiring access plate provided on top. End plates have 7/8" KO.

Certificate of Safety Compliance and Listings

Luminaire: UL and CUL listed 1598 and bears their label. Suitable for damp locations.

IC rated.

Meets the City of Chicago Environmental Air (CCEA) specifications.

Warranty

5-year limited warranty is standard. Special 10-year warranty available on a job-to-job basis. Complete LED warranty terms available at www.mercltg.com.

Actual performance may differ as a result of end-user environment and application.

Most LED luminaires are suitable to operate in ambient temperatures from -20C (-4F) to 25C (77F).

The following exclusions apply: Luminaires with optional standby lighting option, integral lighting controls options, or wireless control options. Consult factory.

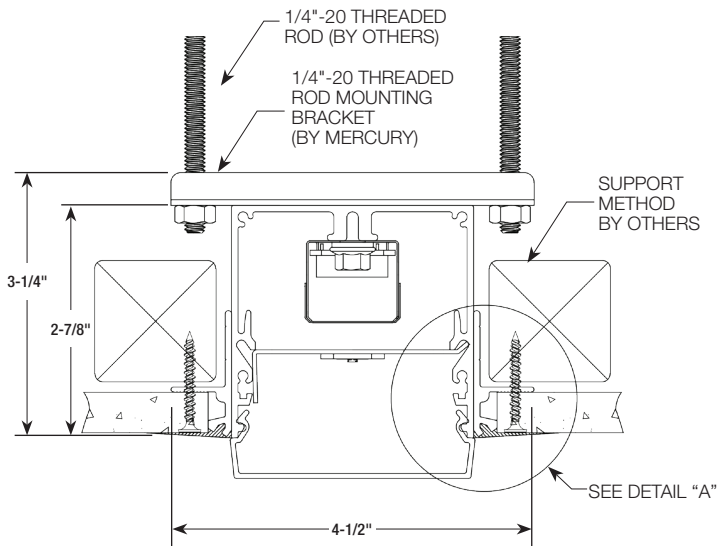
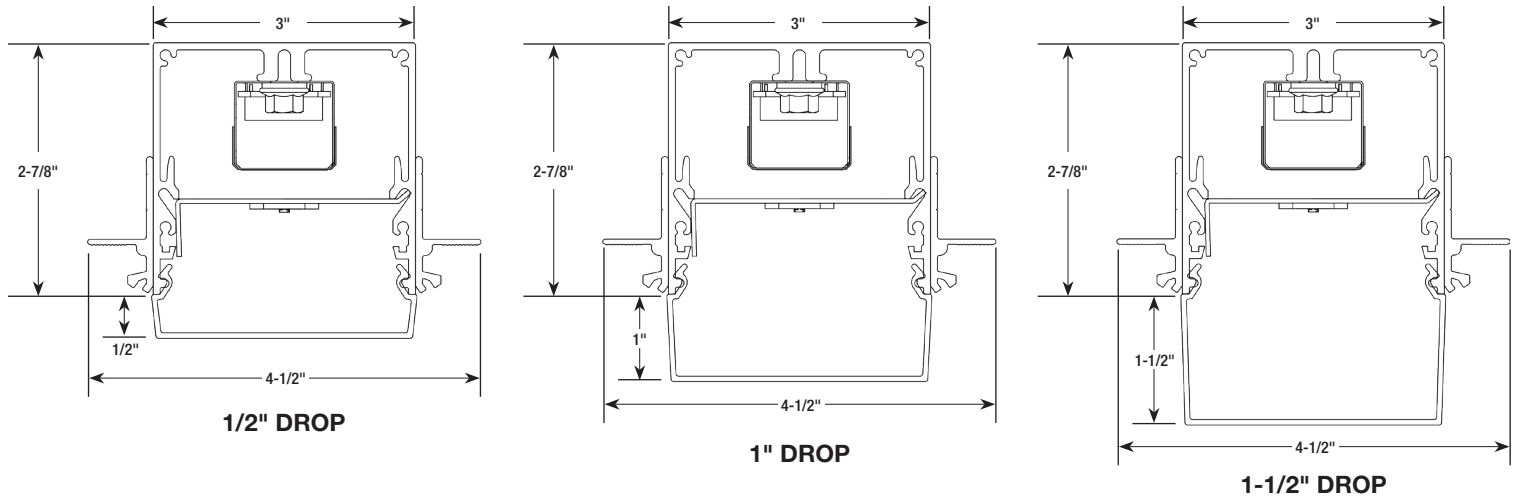
LM-79 testing was measured under a controlled 25C (77F) ambient operating temperature.



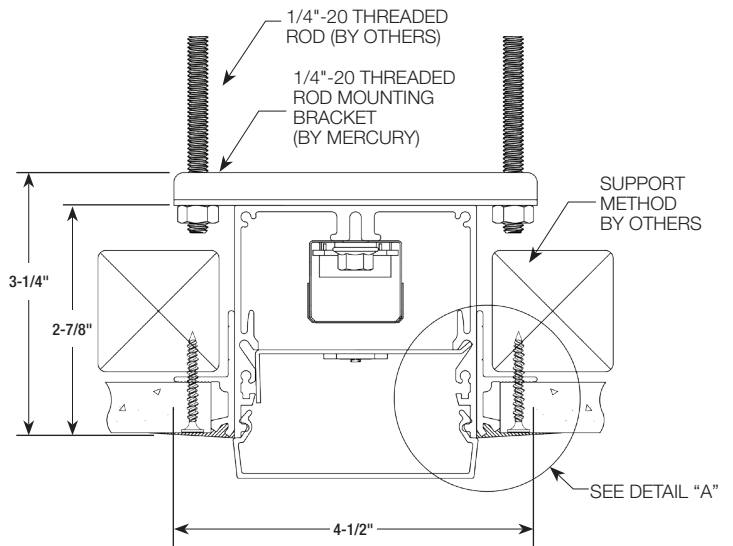
MLD3-F Series | LIGHTSTREAMS 3

Architectural Linear LED Illuminating System | Drop or Flat Lens | Recessed Mount For Drywall Ceilings

Dimensional Data



TRIMLESS FIT FOR 1/2" DRYWALL
(REQUIRES PLASTERING-IN AFTER INSTALLATION BY OTHERS)



TRIMLESS FIT FOR 5/8" DRYWALL
(REQUIRES PLASTERING-IN AFTER INSTALLATION BY OTHERS)

