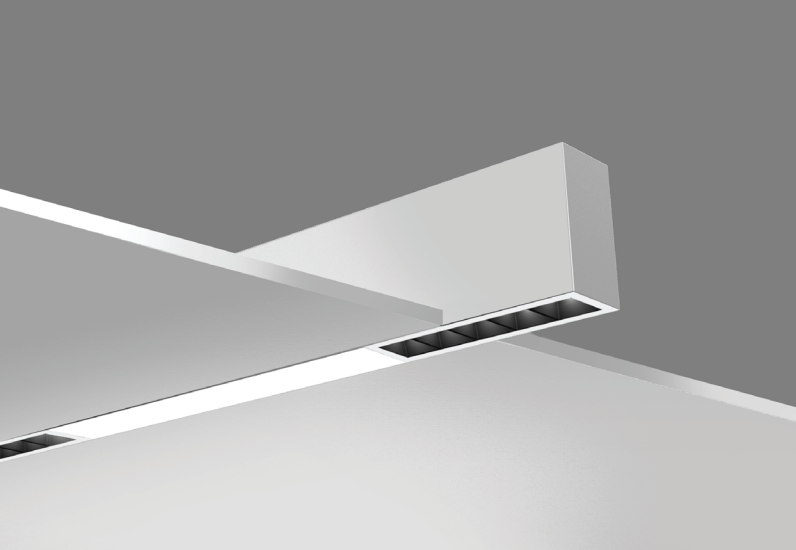


LIGHTPOINTS

MLS2-MD-F SERIES

DYNAMIC MICRO-DOWNLIGHT MODULES MDM ACCENT LIGHTING COMBINED WITH LINEAR LED SYSTEM RECESSED MOUNT FOR DRYWALL CEILINGS

Architectural Linear LED Illuminating System | LIGHTPOINTS 2



Linear Features:

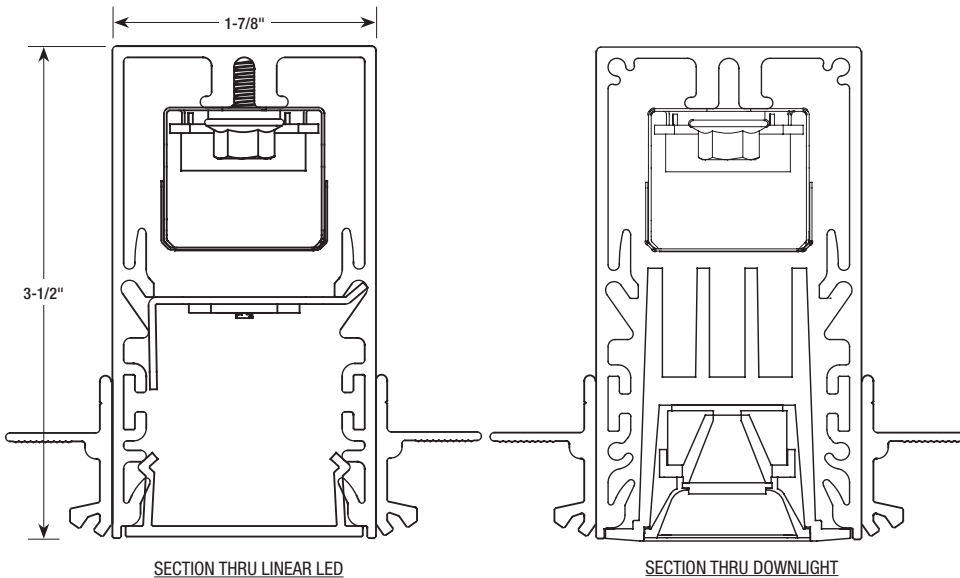
- Extruded aluminum housings produce perfectly straight lines of light.
- Narrow profile; 1-7/8-inch width.
- Linear lengths; 4Ft., 8Ft. or 12Ft. Other lengths consult factory.
- Custom formulated high diffusion extruded acrylic lens.
- Non-glare matte-white polyester powder coating finish.
- Recessed for drywall ceiling types; trimless or overlapping flange trim.
- Cataloged standard or custom set lumens-per-foot performances.
- 80 CRI standard. 90 CRI available.
- Fixture lumens per watt ratios up to 101.
- Lighting controls and sensors.
- American Made.

Downlight Features:

- Dynamic-micro LED downlights add accent lighting as an integral part of the MLS2 linear LED illuminating system.
- Combines to create a unique multi-function system.
- Minimalistic in design, these Micro-Downlight Modules (MDM) offer upward of 74 lumens per watt performance.
- Specify clusters of 2, 5 or 10 MDM positioned at the ends of a 4Ft. linear luminaire.
- Specify clusters of 2, 5, 10 or 15 MDM positioned at the ends of an 8Ft. or 12Ft. linear luminaire.
- Custom positioning on request.
- Color temperatures available: 3500K or 4000K. Others on request.
- CRI 90.
- Angle beam: 30 degree. Upon request 15 or 45 degrees.



Cross Section (actual size)



Linear Performance

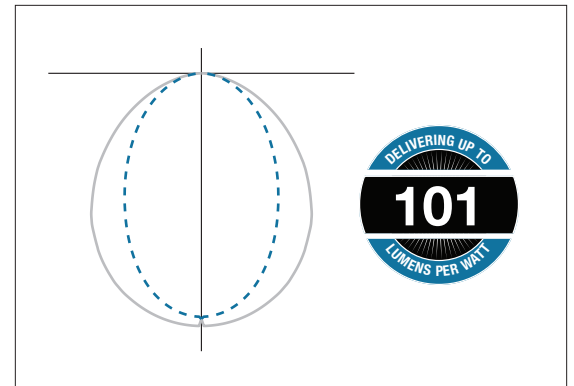
Based on 4Ft. Module, 3500K, 80 CRI, HTA diffuser

Lumens per Foot (LF)	Delivered Lumens (L)	System Watts (W)	Lumens per Watt (LPW)
400	1600	15.8	101.2
500	2000	20.2	99.0
625	2500	26.1	95.9
825	3300	36.2	91.3
900	3603	40.0	90.0

Multiplier for other Color Temp (K)

3000K	97%
3500K	100%
4000K	102%
5000K	103%

Actual performance may differ by +/- 5% when operating between 120V-277V +/- 10%. Consult Factory for 90 CRI performances.



Downlight Performance

See Downlight Matrix Page 3



fixture type:

job information:

MLS2-MD-F Series | LIGHTPOINTS 2

Dynamic Micro-Downlight Modules MDM | Accent Lighting Combined with Linear LED System | Recessed Mount for Drywall Ceilings

Ex: MLS2-MD-F-48-825-935K-HTA-1%-U-5-35-15

Linear Features							Downlight Modules			
Series	Mounting	Module Length	Lumens/Ft	Color Temp	Diffuser	Driver	Voltage	Downlights per Cluster/Each End	Color Temp (K)	Beam Angle
MLS2-MD LightPoints 2 Micro Downlight	F Overlapping Flange Trim	48 48" Length	400 500 625 825 900	80 CRI 30K 35K 40K	HTA High Transmission Acrylic	1% 0-10V 1% Dimming	U Uni 120V-277V	2 5 10	90 CRI 35 40	30
	N5 Trimless Plaster-In for 5/8" Drywall	96 96" Length	50K Upon Request							
	N1 Trimless Plaster-In for 1/2" Drywall	144 144" Length	Custom Lumen Packages. Packages with ASO diffuser. Contact Factory.	927K 930K 935K 940K	X As Specified	Available for 8Ft. and 12Ft. Modules				

Housings

Extruded aluminum profile in a 0.080-inch wall thickness.

Maximum length is 12Ft.

18GA steel ends are provided.

Internal cold-rolled steel components.

Housing intended for recessing into drywall type ceiling systems.

Trimless housing for plaster-in or overlapping flange trim. See ceiling types section.

A custom formulated non-glare matte-white polyester powder coating provides an extremely durable and long-lasting finish.

Diffusers

Seamless fit diffusers. Flawless and consistent end-to-end fit.

Standard diffuser: extruded from custom formulated high transmission white acrylic material. Allows maximum light transmission while eliminating pixilation and hot spots.

Optional diffuser: extruded from acrylic smooth opal material. Offers a more esthetically white appearance. Note: reduces performance by up to 25%.

Smooth finish on both diffusers compliments the architectural elements.

LED Modules

High performance linear configured LED module boards.

Each board consists of multiple mid-power, high efficacy LEDs in a precise layout eliminating the need for supplemental heat sinking.

The boards produce an even and diffuse light which maximizes optical efficiency.

Compatible with the dimming performance of the LED driver.

Color temperatures available 80CRI: 3000K, 3500K and 4000K. Upon request: 5000K.

Color temperatures available 90CRI: 2700K, 3000K, 3500K and 4000K.

LED Drivers

Factory programmable constant current LED power supply.

Multiple standard drive current outputs (factory set by Mercury) are cataloged with their corresponding lumens-per-foot offering. Upon request, custom drive current outputs and lumens-per-foot options are available.

Note: Certain cataloged lumens-per-foot offerings may be provided with a non-programmable constant current LED power supply at Mercury's discretion. Contact factory if critical.

Universal voltage input, 120V-277V, 50HZ-60HZ.

Specification grade dimming down to 1% on 0-10V dimming controls.

Lutron drivers available: LDE1 and LDE5 series.

Downlight Modules

Each MDM delivers up to 74 lumens per watt.

Specify clusters of 2, 5 or 10 MDM positioned at the ends of a 4Ft. linear luminaire.

Specify clusters of 2, 5, 10 or 15 MDM positioned at the ends of an 8Ft. or 12Ft. linear luminaire.

Custom positioning on request.

Color temperatures available: 3500K or 4000K. Others on request.

CRI 90.

Angle beam: 30 degree. Upon request 15 or 45 degrees.

Each MDM is finished with a black optical baffle and white trim.

Optional finishes on request. Contact factory.

Downlight Drivers

All MDM drivers are mounted inside luminaire as an integral component.

Universal voltage input, 120V-277V, 50HZ-60HZ.

Specification grade dimming down to 1% on 0-10V dimming controls.

Standby Lighting Options

For linear LED components only. Not for downlights.

Self-contained module, 7W, 10W or 12W as specified.

Battery backup upon loss of power.

Integral Lighting Controls

Various lighting controls and sensors are optional. Consult factory.

Continuous Runs, Corners and Patterns

Please consult factory with any special requirements.

Installations

Designed for recessed installation into drywall type ceiling systems.

See ceiling types section for typical installations.

Trimless housing requires plastering-in after installation.

Overlapping flange trim neatly closes off drywall opening.

For all recessed grid applications see appropriate specification sheets for those ceiling types.

Auxiliary suspension required to building structure.

Wiring access plate provided on top. End plates have 7/8" KO.

Certificate of Safety Compliance and Listings

Luminaire: UL and CUL listed 1598 and bears their label. Suitable for damp locations.

Warranty

5-year limited warranty is standard. Special 10-year warranty available on a job-to-job basis. Complete LED warranty terms available at www.mercltg.com.

Actual performance may differ as a result of end-user environment and application.

Most LED luminaires are suitable to operate in ambient temperatures from -20C (-4F) to 25C (77F).

The following exclusions apply: Luminaires with optional standby lighting option, integral lighting controls options, or wireless control options. Consult factory.

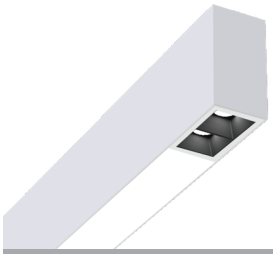
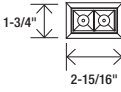
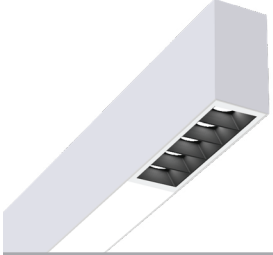
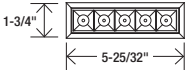
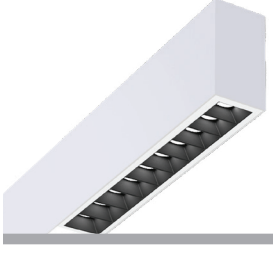
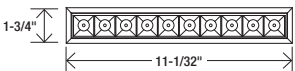
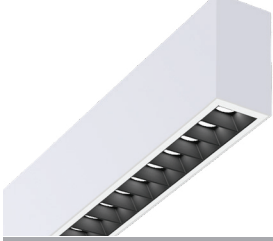
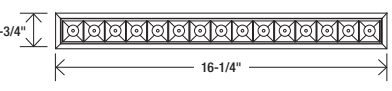
LM-79 testing was measured under a controlled 25C (77F) ambient operating temperature.



MLS2-MD-F Series | LIGHTPOINTS 2

Dynamic Micro-Downlight Modules MDM | Accent Lighting Combined with Linear LED System | Recessed Mount for Drywall Ceilings

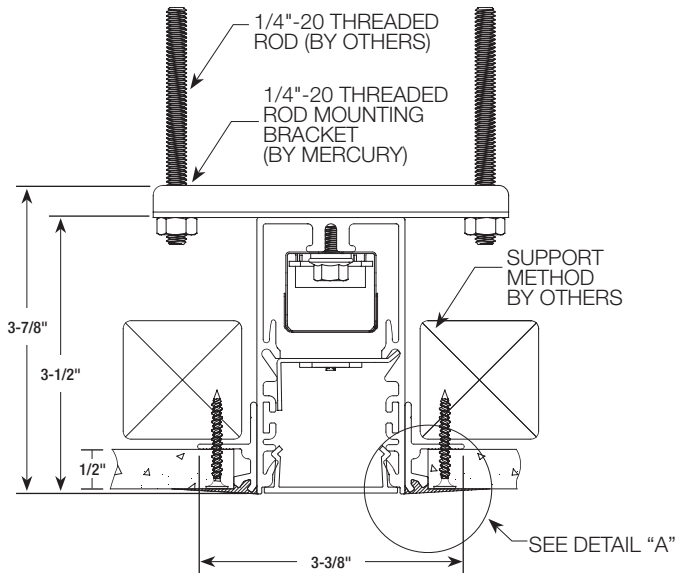
Downlight Matrix

		Based on MDM @3500K, 90CRI, 30-degree angle		
Module	Downlights Per Cluster	Lumens (L)	Watts (W)	Lumens Per Watt (LPW)
	2 	218	4.79	45.5
	5 	660	10.09	65.4
	10 	1375	18.74	73.4
	15  Available on 8Ft. and 12Ft. Modules Only.	2016	27.40	73.6

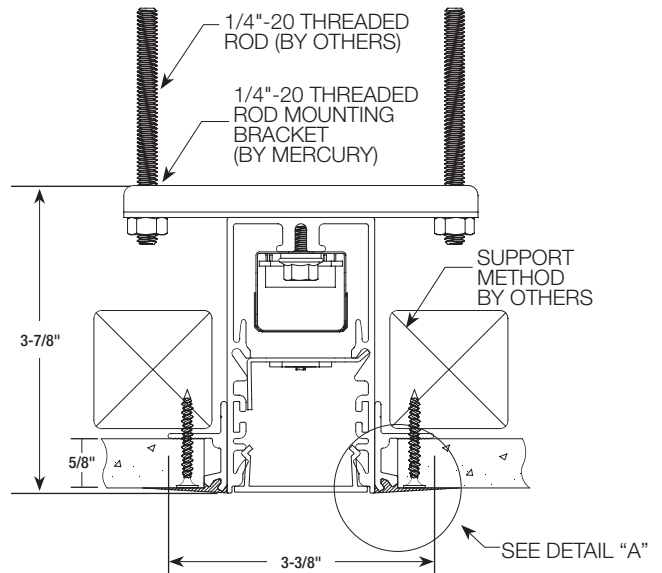


MLS2-MD-F Series | LIGHTPOINTS 2

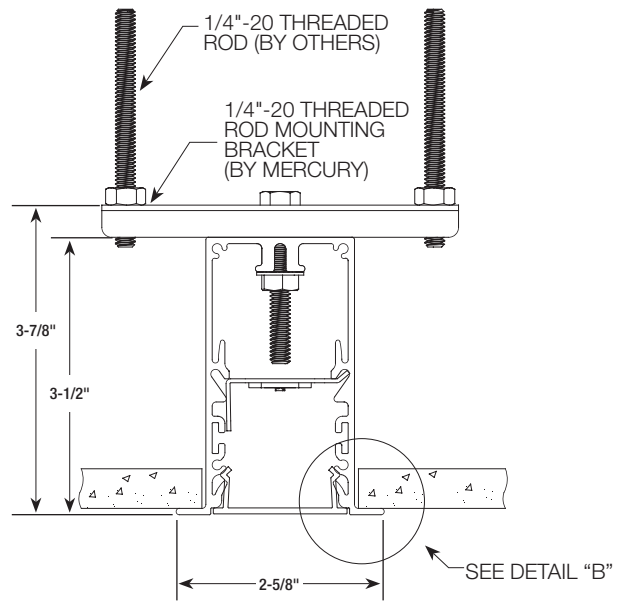
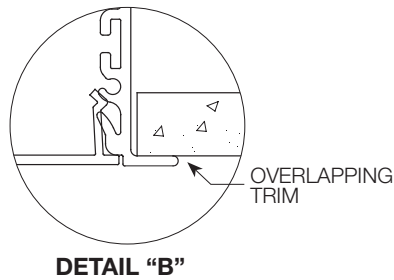
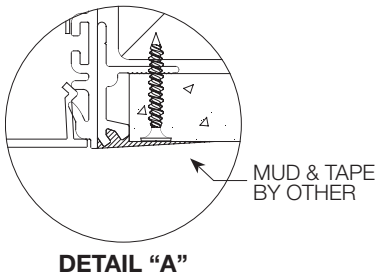
Dynamic Micro-Downlight Modules MDM | Accent Lighting Combined with Linear LED System | Recessed Mount for Drywall Ceilings



TRIMLESS FIT FOR 1/2" DRYWALL
(REQUIRES PLASTERING-IN AFTER INSTALLATION BY OTHERS)



TRIMLESS FIT FOR 5/8" DRYWALL
(REQUIRES PLASTERING-IN AFTER INSTALLATION BY OTHERS)



OVERLAPPING TRIM

